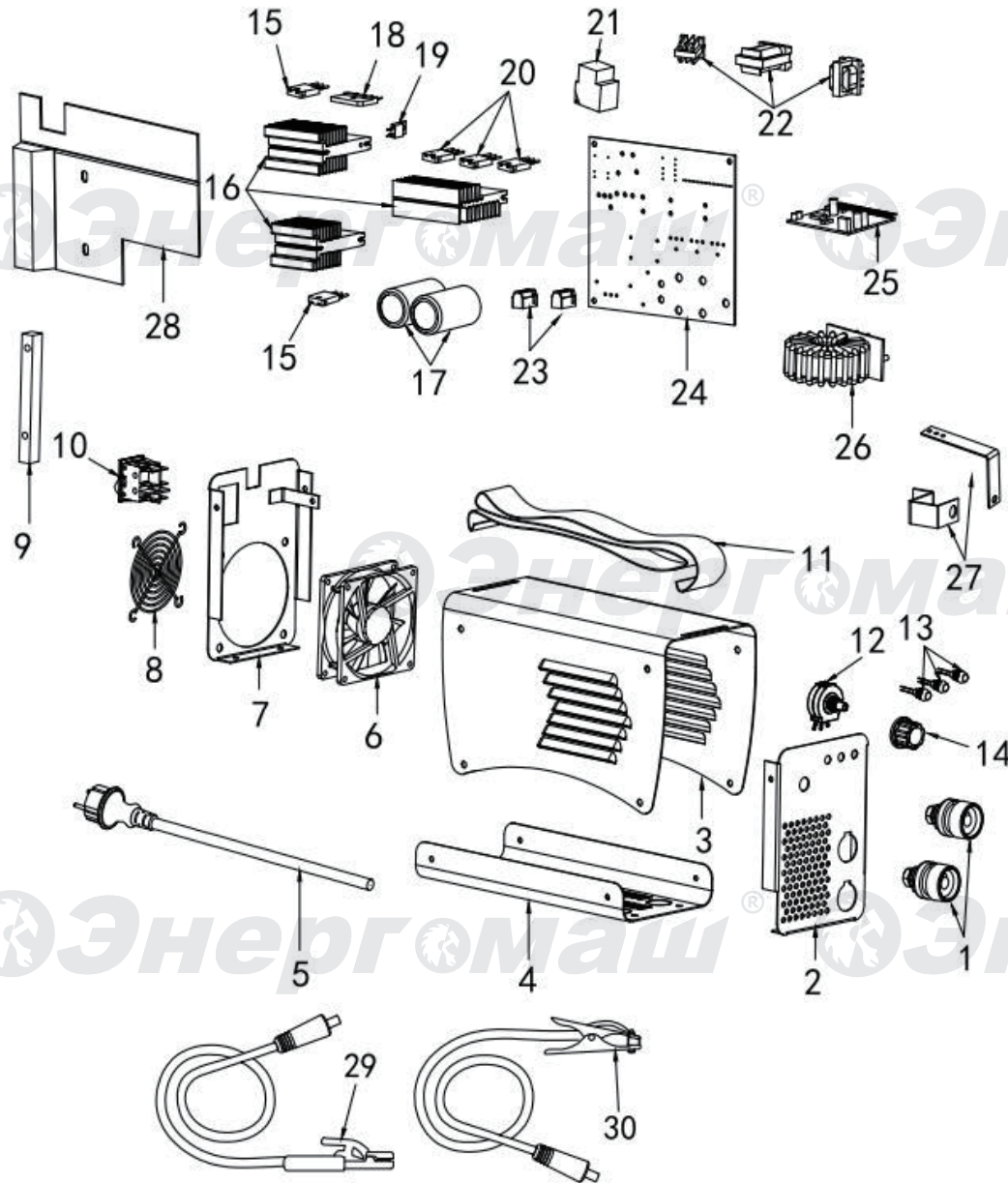
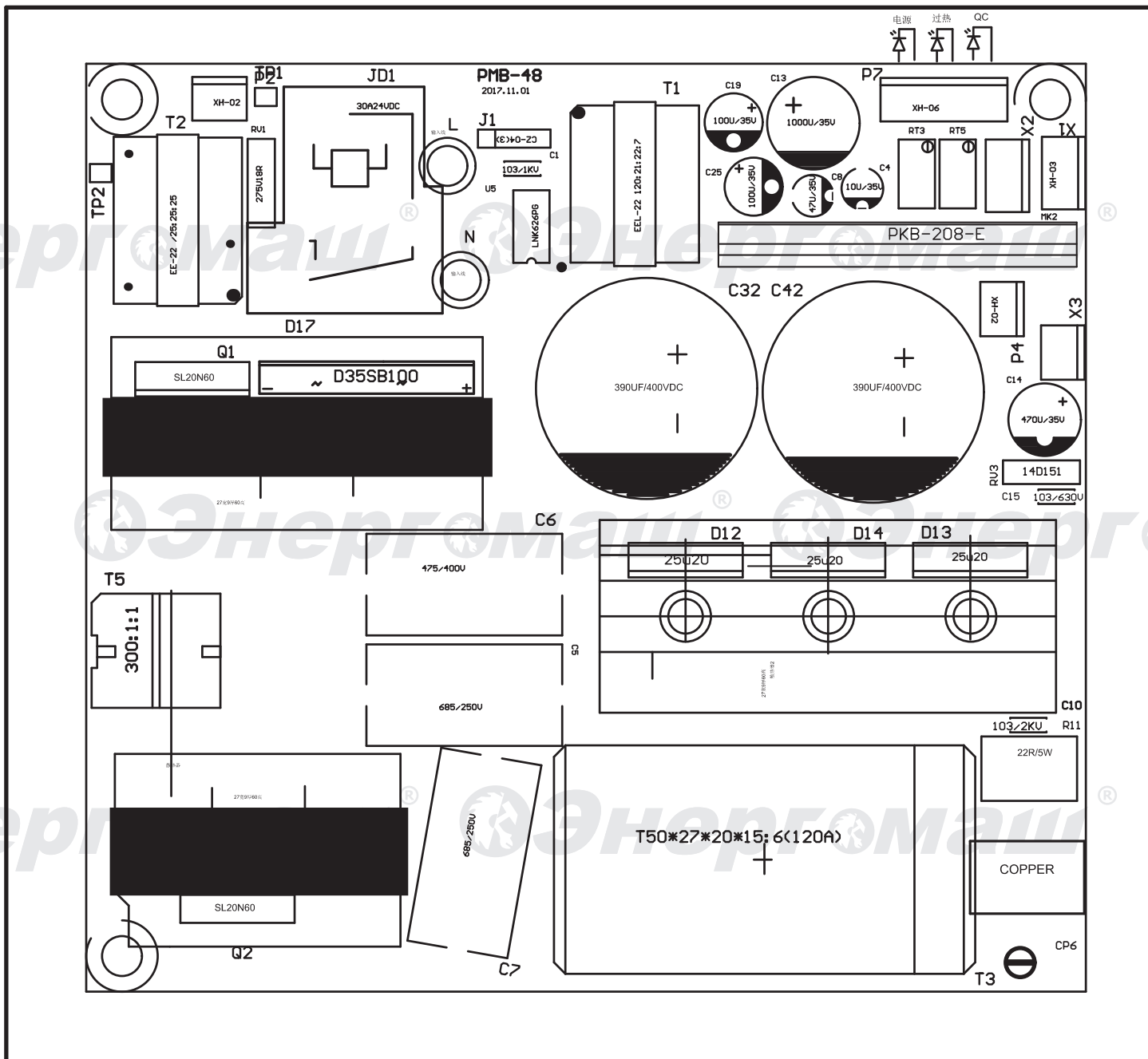


CA-200И, CA-230И



No	Description
1	Fast connector10-25mm
2	Front of panel
3	Front of panel
4	Bottom case
5	Power cable
6	Fan 24V 5000RPM
7	Back of panel
8	Fan net
9	Plastic support
10	Power Switch
11	Belt
12	potentiometer
13	LED lamp
14	Knob
15	IGBT 20N60
16	Radiator (48)
17	Capacitor
18	Rectifier bridge D35SB100
19	NTC 90degree
20	Fast recovery diode 25U20
21	Relay 30A
22	Transformer (48)
23	Circuit board pad
24	Whole pc board already assembled
25	PWM board
26	Main TransformerT50*27*20
27	Aluminum bar
28	Wind board
29	electrode holder with cable
30	earth clamp with cable

CA-200И, CA-230И FRONT-BOARD



CA-200И, CA-230И BACK-BOARD

